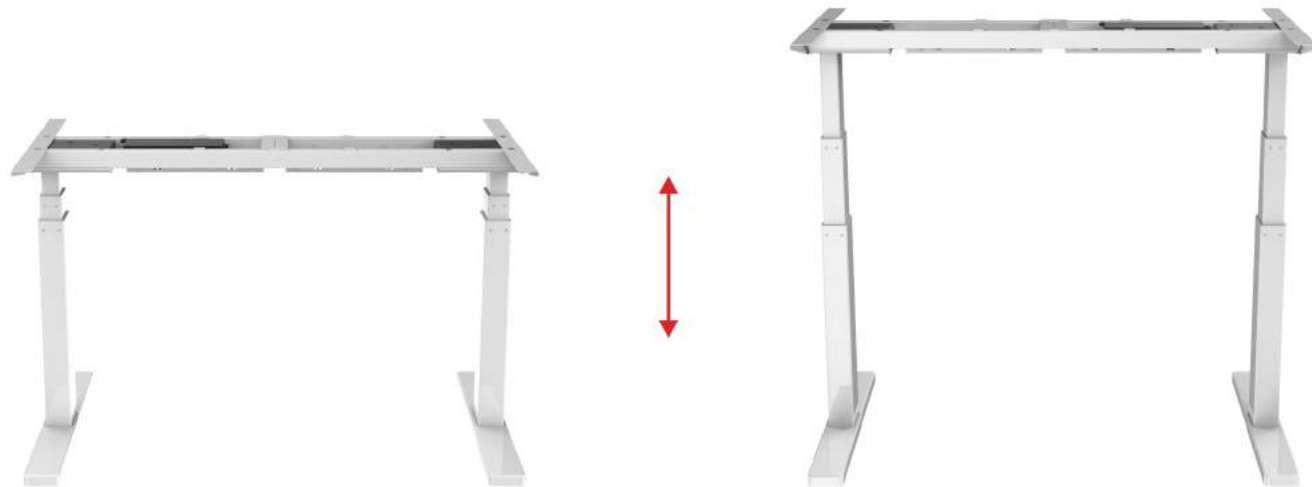


Product Highlights

Smooth Height Adjustment

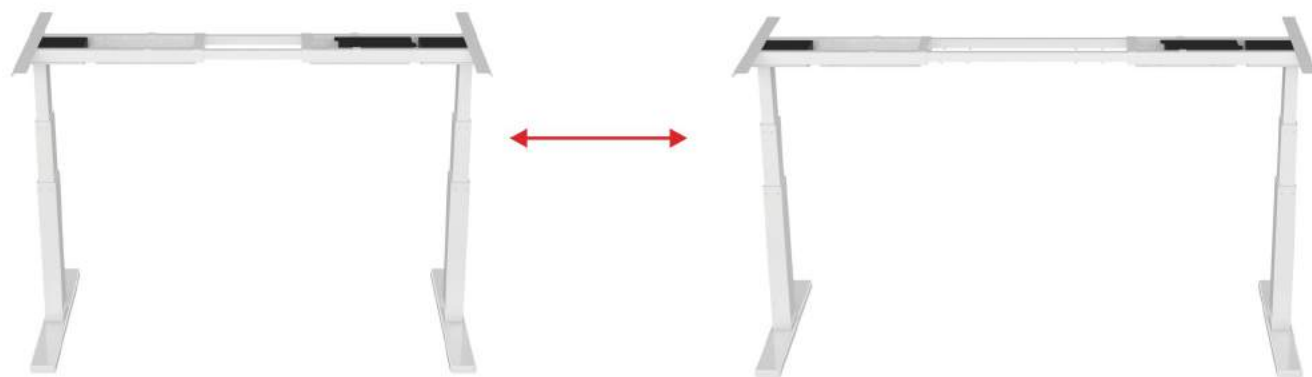


Anti-Collision System



During height adjustment, when tabletop comes in contact with another object, it instantly stops and reverses to avoid damage.

Alternative Width Adjustment











Whisper-Quiet Design



Ultra-silent operation lower than 50dB. Loctek will bring more comfort not noise in your work environment.

Desk Frame Options

Tabletop

 <p>Rectilinear 2-Leg</p>	 <p>Curved Edge 2-Leg</p>	 <p>120° 2-Leg Equal Returns</p>	 <p>90° 2-Leg Equal Returns</p>
<p>Shape</p> <p>1524x762mm/60.0"x30.0" 1400x700mm/55.1"x27.6" 1219x762mm/48.0"x30.0" 1200x600mm/47.2"x23.6"</p>	<p>1524x762mm/60.0"x30.0" 1219x762mm/48.0"x30.0"</p>	<p>900x610mm/35.4"x24.0"</p>	<p>1219x600mm/48.0"x23.6"</p>
 <p>Long Right Return</p>	 <p>Long Left Return</p>	 <p>Long Right Return</p>	 <p>Long Left Return</p>
<p>Shape</p> <p>1600x1100mm/63.0"x43.3"</p>	<p>Option A: 1524x762mm/60.0"x30.0" 1219x762mm/48.0"x30.0"</p>	<p>Option B: 1828x762mm/72.0"x30.0" 1219x762mm/48.0"x30.0"</p>	

Tabletop Color



Frame Color



Feet Version



Add On



Bluetooth Dongle



Users can remotely control Loctek height adjustable desk via our APP with Bluetooth Dongle.

Desk Frame Options

Control Panel



For ET114E
Two button remote.
Up/down switch.



HS02A-1
Two button remote.
Up/down switch.



HS03A-1
Two button remote.
Up/down switch.



HS13A-1
4 programmable positions.
Up/down switch.
Safety screen lock.



HS13B-1
4 programmable positions.
Up/down switch.
Safety screen lock.
USB charging



HS04A-1
Two button remote.
Up/down switch.
Digital height display.



HS05A-1
3 programmable positions.
Up/down switch.
Digital height display.



HS01B-1
Conventional control pad.
3 programmable positions.
Up/down switch.
Digital height display.
Time reminder.



HS11A-1
3 programmable positions.
Up/down switch.
Digital height display.
Time reminder.



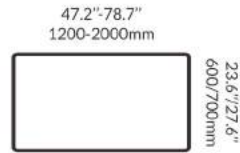
HS11B-1
3 programmable positions.
Up/down switch.
Digital height display.
Time reminder.
USB charging



HS06A-1
Braille button.
3 programmable positions.
Up/down switch.
Digital height display.

Holeless Frame

| Dual-Motor | 3-Stage | Dual Benching



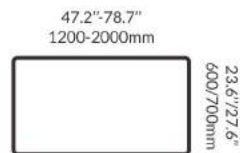
NEW

ET223H

Height Range: 22.8"-48.4"/580-1230mm
 Stroke: 25.6"/650mm
 Speed: 38mm/s
 Load Capacity: 275lbs/125kg
 Power: 100V-240V
 Sound Level: <50dB



| Dual-Motor | Dual Benching | C-Leg



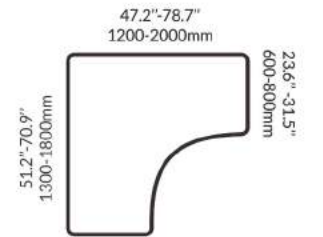
NEW

ET223H-BZ

Height Range: 23.6"-49.2"/600-1250mm
 Stroke: 25.6"/650mm
 Speed: 38mm/s
 Load Capacity: 275lbs/125kg
 Power: 100V-240V
 Sound Level: <50dB



| Triple-Motor | 3-Stage | 90° L-Shaped



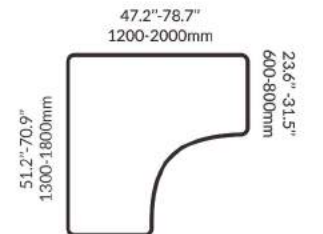
NEW

ET223L

Height Range: 22.8"-48.4"/580-1230mm
 Stroke: 25.6"/650mm
 Speed: 38mm/s
 Load Capacity: 330lbs/150kg
 Power: 100-127V/200-240V
 Sound Level: <50dB



| Triple-Motor | 90° L-Shaped | C-Leg



NEW

ET223L-BZ

Height Range: 23.6"-49.2"/600-1250mm
 Stroke: 25.6"/650mm
 Speed: 38mm/s
 Load Capacity: 330lbs/150kg
 Power: 100-127V/200-240V
 Sound Level: <50dB

