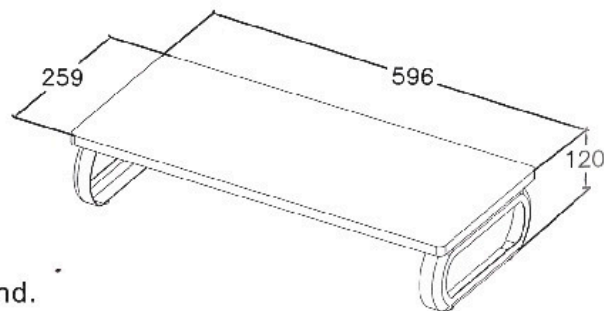




DS101



Features:

- 1 Tall: At 4.75 inches high it is taller than the ordinary monitor stand.
- 2 Perfect Height! Monitor stands that are too low can cause eye, neck, and/or back strain.
- 3 Large Surface Area: At almost 2 feet long, it comfortably holds your monitor and more!
- 4 Includes 4 Padded Adhesive Feet.
- 5 Supports up to 35 pounds.

